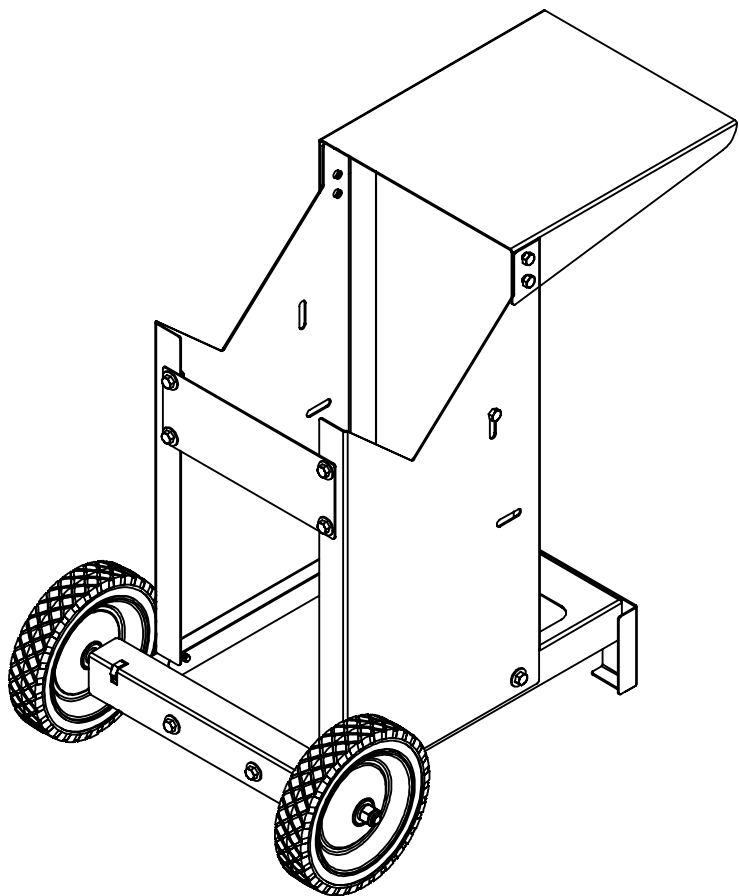


MACK'S FRYERS



FRYER STAND

OPERATING MANUAL/ASSEMBLY INSTRUCTIONS

**HONORING A
LEGACY OF
OUTDOOR PASSION
AND FAMILY
TRADITIONS**



THE MACK'S FRYER STORY

Born in 1947, Mack McCoy's journey through life was defined by his deep connection to nature and his desire to create lasting memories with loved ones. Mack's passion for fishing was unmatched. As the years went by, he honed his skills, becoming known for his impressive catches and exciting jugline adventures. But his true joy lay in sharing the fruits of his labor with others. He dedicated months to fishing, ensuring there would be plenty for his legendary fish fry gatherings. Mack welcomed everyone with open arms, living by the motto, "the more, the merrier!"

To make each event unforgettable, Mack tirelessly experimented with various fryers, striving to fry as much fish as possible in the most efficient way. His efforts paid off, and his fish fry's became legendary, leaving a lasting impression on all who attended. In 2020, Mack passed away, leaving behind a cherished legacy. Inspired by his traditions, Mack's Fryers was established. At Mack's Fryers, we strive to honor Mack McCoy's spirit by offering a range of exceptional fryers.

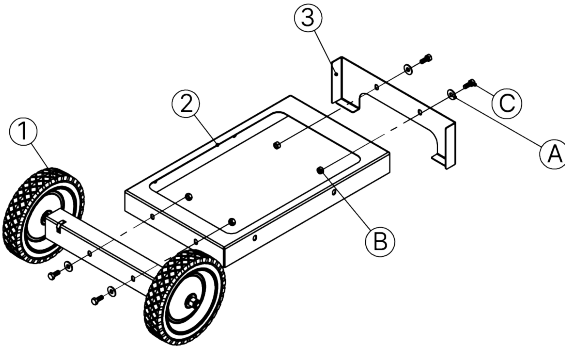
Our fryers embody his passion and commitment, allowing you to recreate the magic of his fish fry's and create your own cherished traditions. Each fryer is meticulously crafted for quality and efficiency, making cooking a breeze for both beginners and experienced outdoor enthusiasts. We've tested and approved every model to ensure they meet Mack's high standards. Mack's Fryers is not just a brand; it's a celebration of passion, family, and the enduring spirit of the outdoors. Join us on this remarkable journey as we continue Mack McCoy's legacy, making every gathering a truly memorable experience.

Welcome to Mack's Fryers, where tradition meets excellence.

ASSEMBLY INSTRUCTIONS FOR MOBILE STAND

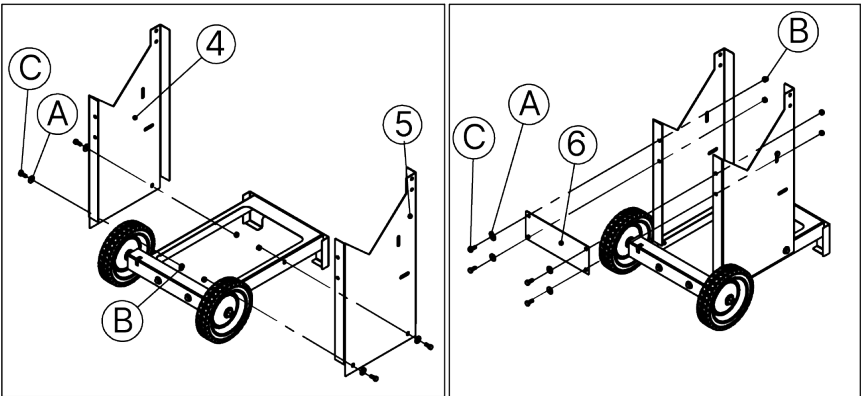
Step 1

Wheel assembly (1) comes pre-assembled by Mack's Fryers. Attach the underframe (2) to the wheel assembly (1) and the skid panel (3) to underframe (2) using the 5/16" bolt (C), 5/16" washer (A) and the 5/16" nut (B).



Step 2

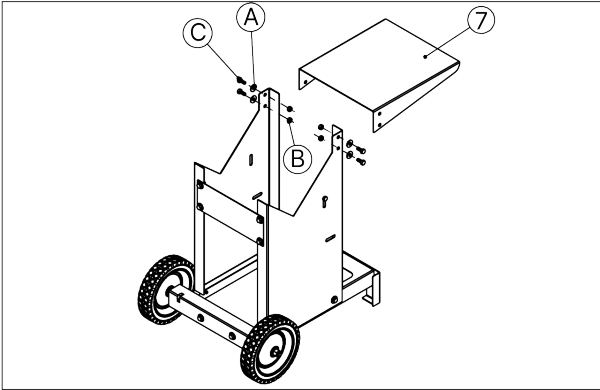
Install the left-side plate (4) and the right-side plate (5) onto the underframe, utilizing the 5/16" bolt (C), 5/16" nut (B), and 5/16" washer (A) as indicated in the provided diagram. Ensure that all fasteners are securely tightened. Next, attach the connection plate (6) to the left and right-side plate (4/5) using the 5/16" bolt (C), 5/16" nut (B), and 5/16" washer (A).



ASSEMBLY INSTRUCTIONS FOR MOBILE STAND

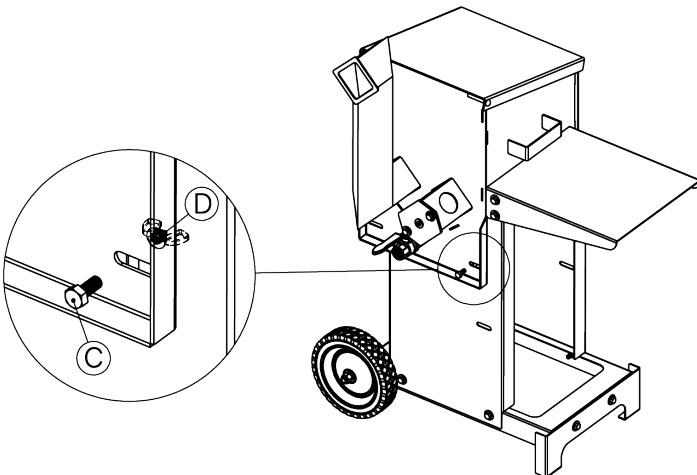
Step 3

Attach the worktable (7) to the left side plate (4) and the right-side plate (5). Utilize the provided 5/16" bolt (C), 5/16" nut (B), and 5/16" washer (A) as illustrated. Make sure to securely tighten all fasteners.



Step 4

Place the fryer body (1) onto the stand assembly. Secure the fryer body to the stand, by using the 5/16" wing nut (D) and the 5/16" bolt (C).



ALL PARTS LISTS

Item Number	Description	QTY
Mobile Stand Parts		
FRY-WHEEL	Wheel, 8" Dia x 1-3/4" Wide	1

WARRANTY

LIMITED WARRANTY PERIOD

The Limited Warranty Period for the Product is fixed, commencing on the date of purchase. The date on your sales receipt is considered as the date of purchase unless otherwise specified in writing by the Manufacturer or your reseller.

LIABILITY LIMITATIONS

If the product fails to work as warranted, the Manufacturer's maximum liability is expressly limited to the lesser of the price you have paid for the product or the cost of repair or replacement of any hardware components that malfunction in conditions of normal use.

WHAT THIS WARRANTY COVERS

The warranty extends to components and accessories for a one-year limited warranty period, and structural materials and workmanship for a lifetime limited warranty period.

WHAT THIS WARRANTY DOES NOT COVER

The warranty does not apply to expendable or consumable parts. The warranty does not cover any product from which the identification name plate has been removed or that has been damaged due to accident, misuse, contamination, inadequate maintenance, or other external causes.

SERVICE DELIVERY

The Manufacturer will provide self-repair service, parts-only service, or unit replacement service depending on the defect type and product condition. The Manufacturer will cover the costs for parts and shipping for self-repair service and parts-only service. For unit replacement, the customer will ship the product to the Manufacturer for repair or replacement at the customer's expense, and the Manufacturer will return the repaired or replacement product at its expense.

EXCLUSIVE REMEDY

These terms and conditions constitute the complete and exclusive warranty agreement between the customer and the Manufacturer regarding the product purchased. Other expressed or implied warranties are hereby disclaimed. No verbal or written information given by Manufacturer, its agents or employees shall create a guarantee or in any way increase the scope and duration of this warranty. The Manufacturer shall not be liable for incidental or consequential damages resulting from the use of this product.

Manufacturer does not authorize any person or company to assume for it any other obligation or liability in connection with the sale, installation, use, removal, return, or replacement of its equipment; and no such representations are binding on Manufacturer.

THESE TERMS AND CONDITIONS SUPERSEDE ANY PRIOR AGREEMENTS OR REPRESENTATIONS- INCLUDING REPRESENTATIONS MADE IN OUTDOOR LIFESTYLE SOLUTIONS SALES LITERATURE OR ADVICE GIVEN TO YOU BY OUTDOOR LIFESTYLE SOLUTIONS OR AN AGENT OR EMPLOYEE OF OUTDOOR LIFESTYLE SOLUTIONS — THAT MAY HAVE BEEN MADE IN CONNECTION WITH YOUR PURCHASE OF THE OUTDOOR LIFESTYLE SOLUTIONS PRODUCT.

HOW TO OBTAIN WARRANTY SERVICE OR OTHER INFORMATION

TO OBTAIN WARRANTY SERVICE AND APPROVAL, YOU MUST FOLLOW THE INSTRUCTIONS BELOW

- **Contact Information:** If you require service or parts for your product or have any questions about warranty, please contact our Customer Service Department at [1-800-530-9298]. Please have your order number, model number, and serial number ready.
- **Documentation:** Please provide a copy of your sales receipt or other proof of purchase. This will ensure that you have full warranty coverage even if you have misplaced your receipt.
- **Inspection:** Our team may request additional details or may ask you to submit photos of the product to assist in our diagnostics.
- **Shipping Instructions:** If we require the return of any parts, detailed instructions will be provided at that time.

EXCLUSIONS

The warranty service does not cover transportation or labor charges associated with the removal and replacement of defective parts, unless explicitly stated otherwise in writing by the Manufacturer.

WARRANTY CLAIMS

Any warranty claims must be filed within the warranty period.

TRANSFERABILITY

This warranty is not transferable and applies to the original purchaser only.

GOVERNING LAW

This warranty shall be governed by and construed in accordance with the laws of the State of Texas, without regard to its conflicts of law principles. Any action seeking legal or equitable relief arising out of or relating to this Warranty shall be brought exclusively in the courts of the State of Texas located in Dallas County, Texas or the federal courts for the District of Texas, Northern Division.

ADDITIONAL CLAUSES OR PROMOTIONS

The Manufacturer may occasionally offer additional warranty coverage or promotional offers. These offers will be explicitly stated and will not alter the terms of this existing warranty unless explicitly stated by the Manufacturer.

IMPORTANT NOTICE

This warranty gives you specific legal rights, and you may also have other rights that vary from state to state or country to country. Nothing in this warranty limits or restricts, or is intended to derogate from, any rights or remedies which the purchaser or consumers have under any law in the relevant jurisdiction where the product was sold, which rights or remedies by such law are unable to be modified or excluded.

Please consult your state's laws or the consumer protection laws in your country for additional information.

MACK'S FRYERS

Owned and operated by Outdoor Lifestyle Solutions
2975 Discovery Blvd, Rockwall, TX 75032
1-800-530-9298